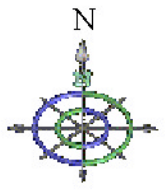
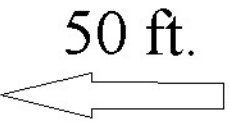
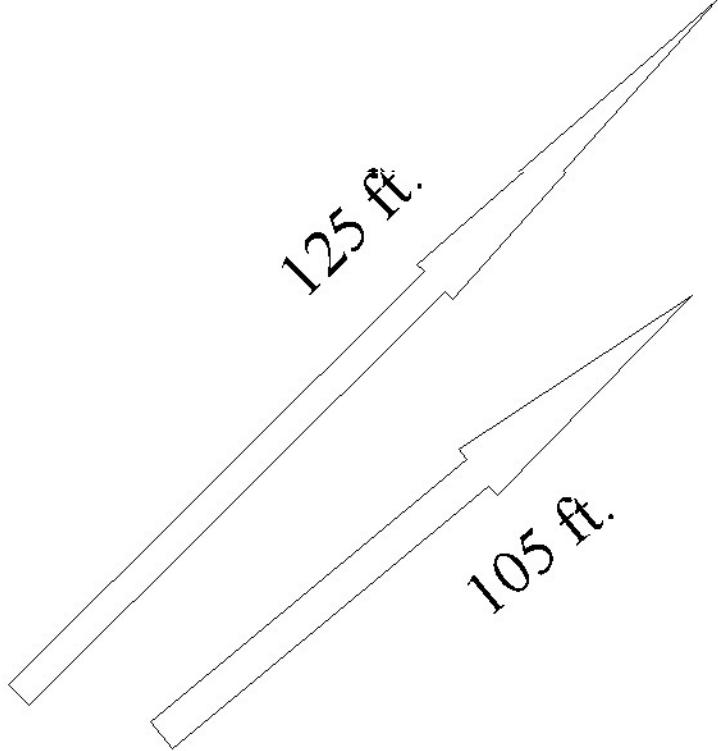
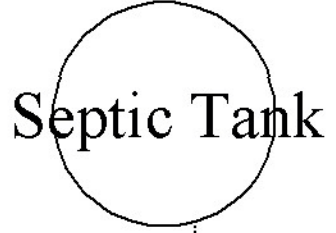


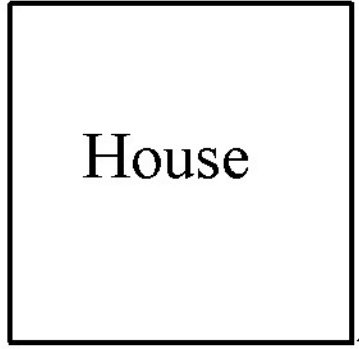
(Not to scale)



Property Line



Well



15 ft.



50 ft.

Driveway

Sewer Line

Wrong Turn Road

